

product description: halogen-free double-coated drainage pipe designed for all areas of drain technics, e.g. draining of buildings, deep engineering constructions, sport area building, in agriculture, gardens, to drain areas of use, or for temporary draining of work sites

drainage pipe is of the type R2 - circular tube with a smooth or undulating inner surface and profiled outer surface

each drainage pipe contains a coupling on one end

the product may be subject to ordinary surface mechanical damage (marks, dents, scratches and rib deformation) of the outer wall of the pipe due to manufacturing technology or transport, which do not affect the functionality of the product

material: HDPE

halogen-free: yes

self-snuffing: no

thermal resistance for storage: -45 - +60 °C

thermal resistance for mounting: -5 - +60 °C

fire class for underlying material: A1

UV stable: no

meets the requirement: DIN 4262-1; TP-KO-01/14; STO - AO 224 - 657/2014

storage: ČSN 64 0090

length tolerance: ±1%

service life: >30 years storage underground

ring stiffness: SN8 (8 kN / m²)

width perforation groove: 1,2 ±0,4 mm

perforation pipe:

- TP - three lines of perforations in odd and three lines of perforations in even numbered grooves rotated by 60°, area of the perforation >50 cm²/m
- LP - three lines of perforations in odd and two lines of perforations in even numbered grooves rotated by 60°, area of the perforation >50 cm²/m
- MY - two lines of perforations in odd and two lines of perforations in even numbered grooves rotated by 60°, area of the perforation 40 cm²/m
- MP - two lines of perforations in odd and one line of perforations in even numbered grooves rotated by 60°, area of the perforation 30 cm²/m
- UP - without perforation

accessories: couplings, closing plugs

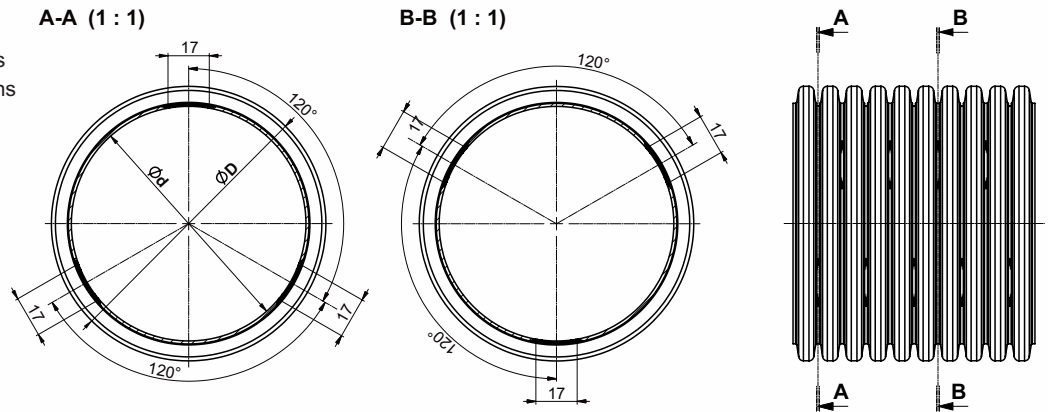
chemical resistance:

YES: aceton, amoniak 25%, distilled water, ethanol 50%, sodium hydroxide 60%, hydrofluoric acid 40%, acetic acid 5%, sulfuric acid 96%, medicinal oil, methanol, olive oil, petroleum, hydrogen peroxide 20%, transformer oil, sodium carbonate

NO: anilin, chlorinated hydrocarbons, tetrachlorocarbon

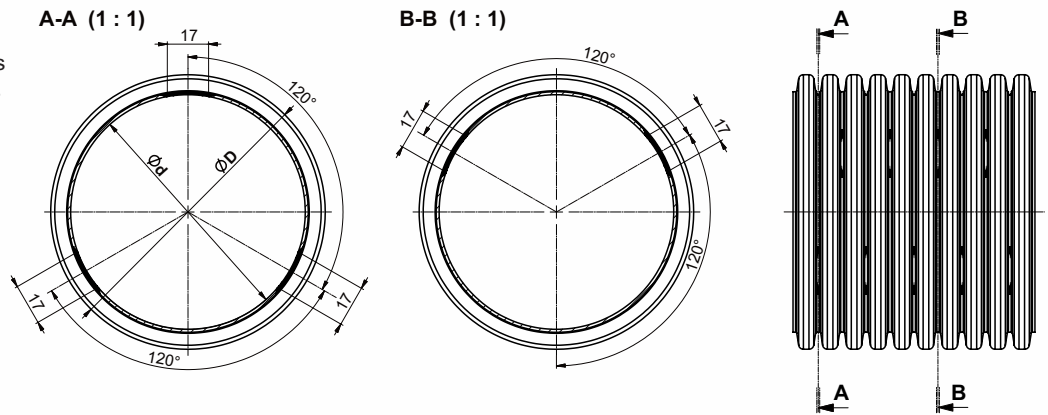
perforation pipe: **TP**

odd grooves - three lines of perforations
 even grooves - three lines of perforations rotated by 60°
 area of the perforation >50 cm²/m



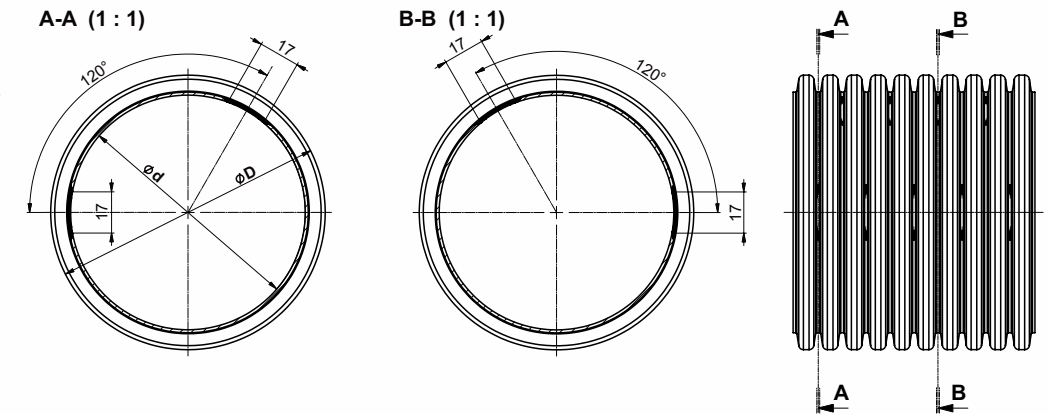
perforation pipe: **LP**

odd grooves - three lines of perforations
 even grooves - two lines of perforations rotated by 60°
 area of the perforation >50 cm²/m



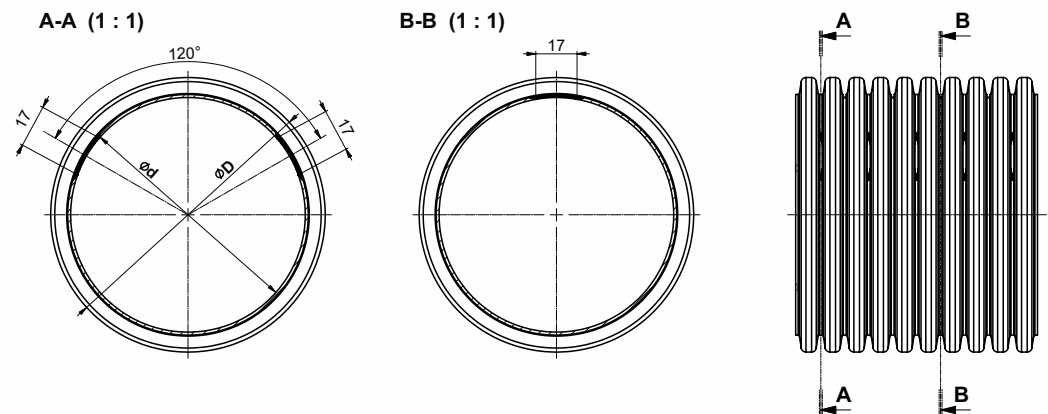
perforation pipe: **MY**

odd grooves - two lines of perforations
 even grooves - two lines of perforations rotated by 60°
 area of the perforation 40 cm²/m



perforation pipe: **MP**

odd grooves - two lines of perforations
 even grooves - one line of perforations rotated by 60°
 area of the perforation 30 cm²/m



item number	nominal outer Ø D (mm)	min. inner Ø d (mm)	length (m)	min. bending radius (mm)	package (m)	package dimension (cm)	weight 1 m (kg)	colour	note
DUODREN 63_B50*	63 +1,4/-0	47	50	350	50	95x35	0,22	red	to order
DUODREN 63_C50*	63 +1,4/-0	47	50	350	50	95x35	0,22	blue	to order
DUODREN 63_F50*	63 +1,4/-0	47	50	350	50	95x35	0,22	black	to order
DUODREN 63_B6*	63 +1,4/-0	47	6	-	312	80x52x605	0,25	red	to order
DUODREN 63_C6*	63 +1,4/-0	47	6	-	312	80x52x605	0,25	blue	to order
DUODREN 63_F6*	63 +1,4/-0	47	6	-	312	80x52x605	0,25	black	to order
DUODREN 75_B50*	75 +1,4/-0	56	50	350	50	110x40	0,31	red	to order
DUODREN 75_C50*	75 +1,4/-0	56	50	350	50	110x40	0,31	blue	to order
DUODREN 75_F50*	75 +1,4/-0	56	50	350	50	110x40	0,31	black	to order
DUODREN 75_B6*	75 +1,4/-0	56	6	-	312	104x88x607	0,33	red	to order
DUODREN 75_C6*	75 +1,4/-0	56	6	-	312	104x88x607	0,33	blue	to order
DUODREN 75_F6*	75 +1,4/-0	56	6	-	312	104x88x607	0,33	black	to order
DUODREN 90_B50*	90 +1,7/-0	67	50	400	50	120x45	0,38	red	to order
DUODREN 90_C50*	90 +1,7/-0	67	50	400	50	120x45	0,38	blue	to order
DUODREN 90_F50*	90 +1,7/-0	67	50	400	50	120x45	0,38	black	to order
DUODREN 90_B6*	90 +1,7/-0	67	6	-	312	120x76x607	0,41	red	to order
DUODREN 90_C6*	90 +1,7/-0	67	6	-	312	120x76x607	0,41	blue	to order
DUODREN 90_F6*	90 +1,7/-0	67	6	-	312	120x76x607	0,41	black	to order
DUODREN 110_B50*	110 +1,7/-0	82	50	450	50	120x65	0,50	red	to order
DUODREN 110_C50*	110 +1,7/-0	82	50	450	50	120x65	0,50	blue	to order
DUODREN 110_F50*	110 +1,7/-0	82	50	450	50	120x65	0,50	black	to order
DUODREN 110_B6*	110 +1,7/-0	82	6	-	462	110x97x610	0,58	red	to order
DUODREN 110_C6*	110 +1,7/-0	82	6	-	216	84x67x610	0,58	blue	to order
DUODREN 110_F6*	110 +1,7/-0	82	6	-	216	84x67x610	0,58	black	to order

* perforation of pipe TP, LP, MY, MP (e.g.: B50TP = red color, 50 m, perforation - 6 holes)